

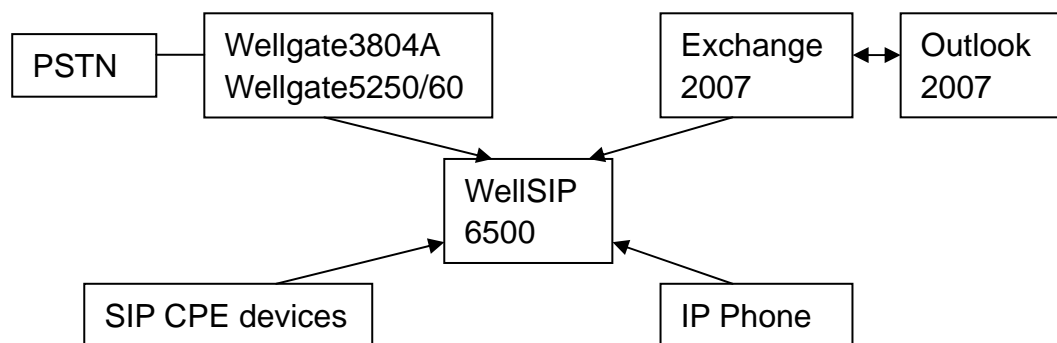
Integrate WellSIP 6500/SIPPBX 6200 with Exchange 2007

Target Objective:

To utilize the strength of powerful Exchange 2007 features, WellSIP 6500 can fully integrate with Exchange 2007 to provide auto attendant, unified message and voice access etc. The application note is a dedicated tutorial for the interface in between WellSIP 6500 and Exchange 2007.

Recommendations:

The proposed system architecture is showed as figure:



Use Exchange 2007 as Auto Attendant for WellSIP 6500:

1. Assume that Welltech PSTN number is 82265699. Firstly, we are going to create a subscriber for Exchange 2007 and then create a prefix to route the 82265699 to it.
2. To create a subscriber for Exchange 2007, Please click **Configuration -> Subscriber** to create it as follows:
 - Device Type: *VMS (Diversion)*
 - Register Type: *Predefine*
 - Predefine URI: *TCP*
 - URI: *sip:1005@exchange IP: 5060.*

Modify Subscriber

Active Mode : Active InActive
TEL NO : 1005 **User Account :** 1005
User Password : **Web Password :**

User Group : 0 - CO-Server **Authentication Mode :** None
DNIS Screening Group : None **Call Authorization Mode :** None
Emergency Group : None **Caller ID Mode :** Transparent
Device Type : VMS(Diversion) **Hunting Method :** Sequential
Preferred RTP Group : None **Register Type :** Predefine
RTP Proxy : Auto **Predefine URI 1 :** TCP En sip:1005@exchange ip

Figure 1-1

3. Create a prefix route group for 82265699 by clicking **Configuration>New** to add a prefix route group as figure 1-2.

Create Prefix Route Group

Prefix Matched : 82265699
Description : To Exchange 2007
Matched Length : 0
Matched User Group : ALL
Hunting Method : Round Robin
No Answer Time Out : 0
First Response Time Out : 0
Remove Prefix : Enable Disable
RADIUS Authorization Resend : Enable Disable

Figure 1-2

4. After create the prefix route group successfully, click the **Detail** button to add Exchange 2007 into the prefix detail as figure 1-3.

Prefix Detail

Prefix Matched : 82265699
Matched Length : 0
Matched User Group : ALL
TEL NO : 1005
Priority : 0

Figure 1-3

Use Exchange 2007 as a Voice Mail Server:

For each subscriber need use Exchange 2007 as the voice mail server, please click **System -> Subscriber -> Service -> Voice Mail** to enable voice mail and set the voice mail URI to Exchange 2007 (e.g. 1005) as Figure 1-4.

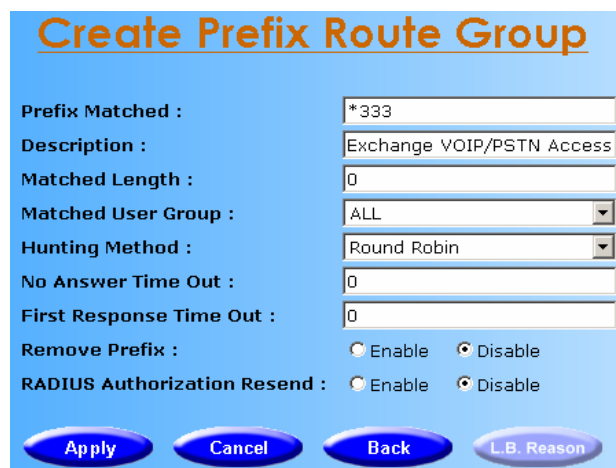


The screenshot shows a configuration window titled "VAD Service :". It contains several options: "Coloring Ring Back" (unchecked), "Announcement Service" (unchecked), "VMS" (checked), and "VMS URI :". The "VMS URI" field contains the text "sip:1005@exchange IP".


Figure1-4

Create a voice mail access number to Exchange 2007 for subscriber:

Assume that the user would like to dial *333 to access his voice mail by their IP phone. We need to create a prefix route as follows:



The screenshot shows a configuration window titled "Create Prefix Route Group". It contains the following fields and options: "Prefix Matched : *333", "Description : Exchange VOIP/PSTN Access", "Matched Length : 0", "Matched User Group : ALL", "Hunting Method : Round Robin", "No Answer Time Out : 0", "First Response Time Out : 0", "Remove Prefix : Enable (radio button) and Disable (radio button, selected)", and "RADIUS Authorization Resend : Enable (radio button) and Disable (radio button, selected)". At the bottom, there are four buttons: "Apply", "Cancel", "Back", and "L.B. Reason".



The screenshot shows a configuration window titled "Prefix Detail". It contains the following fields: "Prefix Matched : *333", "Matched Length : 0", "Matched User Group : ALL", "TEL NO : 1005", and "Priority : 5". At the bottom, there are three buttons: "Apply", "Cancel", and "Back".

Create a FAX DID number for a Exchange 2007 user

Assume that you are going to give your sales manager to have their own person fax number and use Office to access it. For example, the sales manager's extension number is 800 and the FAX DID number is 82265799. You can create a fax number account for the subscriber as follows:

1. Create the 82265799 subscriber as an Exchange Fax user. The settings and figure as follows:

Device Type is *Exchange Fax*

Exchange Server is *exchange server IP*

Exchange User is *exchange user ID*

Create Subscriber

Active Mode :	<input checked="" type="radio"/> Active <input type="radio"/> InActive	User Account :	82265799
TEL NO :	82265799	Web Password :	
User Password :	●●●●●●●●	Authentication Mode :	Register Only
User Group :	1 - Normall	Call Authorization Mode :	None
DNIS Screening Group :	None	Caller ID Mode :	Transparent
Emergency Group :	None	Hunting Method :	Sequential
Device Type :	Exchange Fax	Register Type :	
Preferred RTP Group :	None	Exchange Server:	exchange server IP
RTP Proxy :	Auto	Exchange User:	exchange user ID
NAT Group :	None		