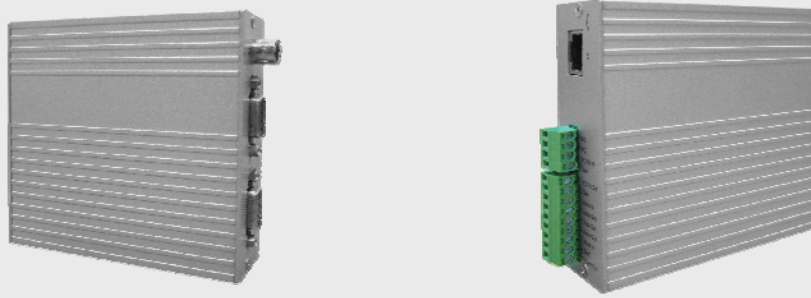


WVP-151

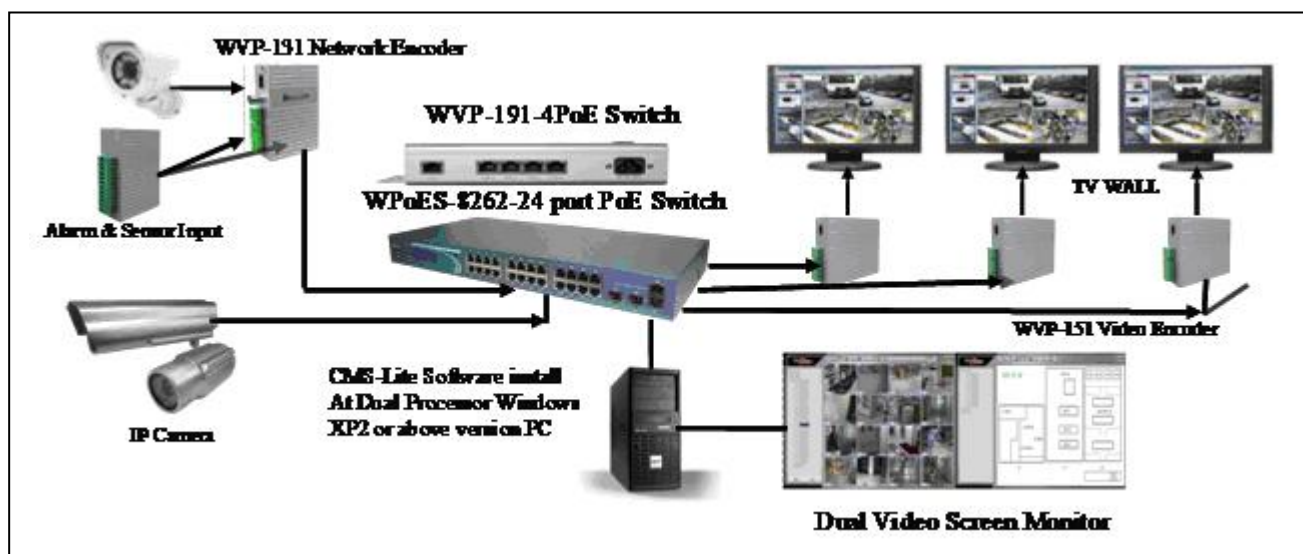
Network Video Decoder



WVP-151 is an one-channel H.264 Video Decoder to output display to Video Wall for monitoring. It is suitable to connect with CMS-Lite Central Management System or Network Commander System. Or, it can connect one IP Camera or IP Encoder to WVP-151 decoder directly without Central management System. There are three Video Output interface with BNC, VGA and RGB to drive any type Video Display Device with one Full Screen or Four screens in turns. The alarm comes from whole network Camera or detector sensor can be displayed (Screen Pop Up) at Wall Monitoring display no matter it was connected to Central manager System or directly connect to remotely Camera (IP or via IP Encoder). WVP-151 supports both Web Configuration or managed by CMS-Lite, Commander Station to setup your target display mode.

APPLICATION

WVP-151 connects to remotely IP Camera (WVP-120) or Analog Camera with WP-131 Network Video Encoder. The TV Wall monitors remotely Camera and Screen Popup alarm in real time. One WP-131 with one TV Wall can dedicate to one Camera for high security target. Or, one WVP-131 with one TV Wall accept up to 64 Camera Video Stream by polling. WVP-151 can be managed by CMS-Lite or Central Control System with flexible configuration and monitoring. This example gives 4-port or 24-port PoE switch in order to reduce Camera cabling. The PoE switch can also be replaced to provide switch without PoE features. In this case, external 12Vdc is needed to apply to each Camera.



WVP-151

Network Video Decoder

SPECIFICATION

Features :

- Linux Embedded & Modularized Design
- Compatible with Wide Screen LCD Monitor
- Provide H.264 Video stream decode service
- Compatible with three different display :
VGA (D-DUB), RGB and BNC connector
- High Definition, 1280 x 720 Display
- CMS-Lite provides monitoring, sequence display, alarm display and etc.
- Connect to IP Camera or IP Encoder with or without CMS-Lite server.
- High Resolution D1 or CIFx4.
- Real time image decode 30fps, display by full screen and quad screen.
- Up to 120fps Display Rate
- Full or Quadrant Display Type
- SEQ(Group), Alarm Call Display
- Cost Effective Video Wall Solution
- Support both DC12V and PoE power input
- Web Server configuration
- Managed by Welltech's Central Management CMS-Lite software.
and Remote client CMS Software
- DHCP and Static IP supported
- Dynamic DNS (DDNS) supports both CMS-Lite and IP Camera,
Managed among private IP

Electrical :

| | |
|-------------------|--|
| Operation System | : Linux |
| Processor | : ARM9, 32 bits RISC |
| LAN RJ-45 Port | : 10/100Base-T, PoE (built-in) |
| PoE over LAN | : 100 Meters Distance |
| Ethernet protocol | : TCP/IP, UDP, ICMP, DHCP, DNS, DDNS, SNMP, uPNP, HTTP, SMTP, FTP |

Video Output, VGA/D1: BNC x1, VGA x1, YPbPr x1

Video Update Frame Rate:

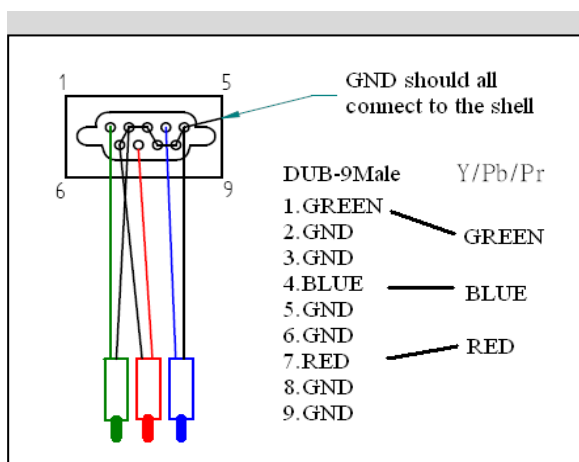
- Quadrant type : 120fps @CIF resolution
- Full Screen Type : 30fps @D1 resolution

Audio Output : Built-in, Up to 64 Cameras

Watch Dog feature : built-in

Protocol : Proprietary Multiple Stream Protocol

SIGNAL CONNECTION DIAGRAM



Interface :

| | |
|---------------|---------------------------------------|
| Video Output | : BNC (75 ohms) x 1 set |
| | : RGB, DB-9 (Female) x 1 set |
| | : VGA, D-SUB (Female) x 1 set |
| Ethernet Port | : RJ-45 x 1 set |
| DC 12V Input | : Terminal Connector x 1 set |
| DC 12V Output | : Terminal Connector x 1 set |
| Audio Output | : Terminal connector x 1 set (Mono) |

Power Requirements :

| | |
|-------------------|------------------|
| Power Input | : DC 12V |
| Power Consumption | : 5 Watts (max.) |
| PoE (IEEE802.3af) | : Built-in |

Mechanical:

| | |
|--------------------|-------------------------------|
| Enclosure material | : Aluminum |
| Mounting Bracket | : Included |
| Physical Dimension | : 113(L) x 98(W) x 34.3(H) mm |
| Weight | : 350 grams include packing |

Environment:

| | |
|-----------------------|---------------------------------|
| Operating Temperature | : 0 to 50 degree C |
| Operating Humidity | : 10% to 80% R.H non-condensing |
| Storage Temperature | : -10 to +70 degree C |
| Storage Humidity | : 5% to 95% (non-condensing) |

Approvals:

CE, FCC, LVD and RoHS

Country of origin:

Made in Taiwan

Warranty

One year

